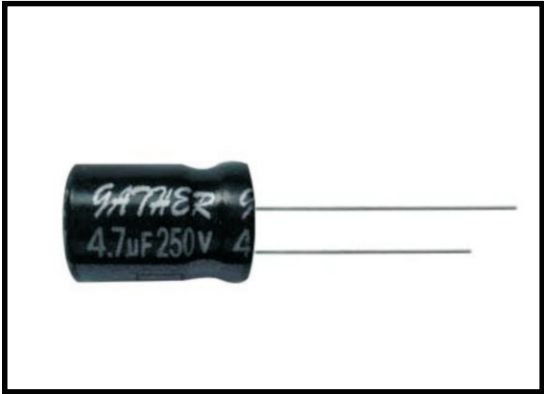


HA 系列  
SERIES

◆ 特长 FEATURES

- 具有非常优越的耐纹波能力和低阻抗特性  
Very excellent ripple current ability and low impedance
- 保证时间: 125°C 5000小时  
Load life : 105°C 5000Hrs



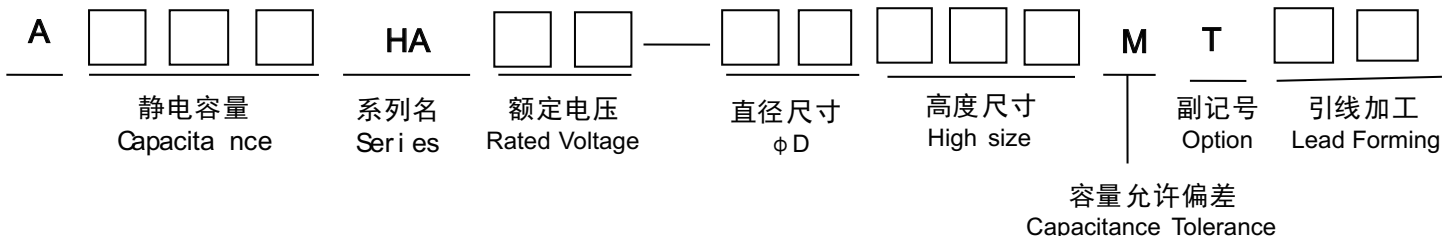
◆ 特性表 SPECIFICATIONS

项 目 Item	特 性 Characteristics	
使用温度范围 Operating Temperature Range	-40 ~ +125°C	
额定电压范围 Rated Voltage Range (W.V)	200Vdc ~ 250Vdc	
静电容量允许偏差 Capacitance Tolerance	± 20% (M) (at 20°C , 120Hz)	
漏电流 (I) DC Leakage Current	I ≤ 0.03CV+10 (μA) (at 20°C) (施加额定电压2分钟后测试 After 2 minutes application of rated voltage)	
损耗角正切值 (TANδ) Dissipation Factor	额定电压 (Vdc) Rated Voltage	160 ~ 250 400 ~ 450
	TANδ	0.15 0.20
温度特性 Temperature Characteristics	阻抗比 (120Hz) Impedance ratio at 120Hz	200Vdc ~ 250Vdc, Z-25°C / Z20°C = 3 MAX. 400Vdc ~ 450Vdc, Z-25°C / Z20°C = 8 MAX.
高温负荷特性 Load Life	125°C加额定电压5000小时后满足如下要求: After 5000 hours application of rated voltage at 125°C	
	静电容量变化率 Capacitance Change	初期值的±30%以内 Within ±30% of the initial value
	损耗角正切值 (TANδ) Dissipation Factor	规格值的300%以内 Not more than 300% of the specified value
	漏电流 (I) Leakage Current	规格值以下 Not more than the specified value
高温无负荷特性 Shelf Life	+125°C 1000小时无负荷放置后, 特性应满足高温负荷特性 After storage for 1000 Hrs at +125°C with no voltage applied, the capacitor shall meet the specified limits for "Load Life"	
其他 Others	执行 JIS C 5141 JIS C 5141	

◆ 纹波电流修正系数/MULTIPLIERFORRIPPLECURRENT

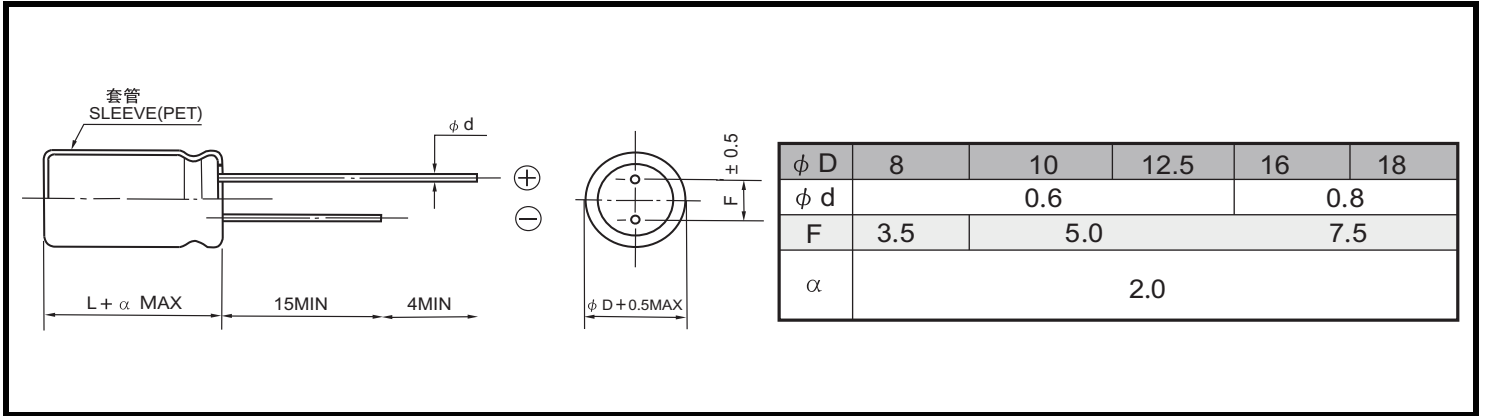
WV. (V. DC)	120HZ	1KHZ	1~30KHZ	30~100KHZ
160~250V	0.55	0.85	0.90	1.00
350~450V	0.50	0.80	0.90	1.00

◆ 产品型号体系/PARTNUMBER



◆ 尺寸图/DIMENSIONS

(mm)



◆ 标准品一览表/STANDARD SIZE

(mA) r. m. s (100KHz/+125°C)

WV. (V <sub>DC</sub> ) CAP. (μF)	200 (2D)		250 (2E)		400 (2G)		450 (2W)	
1 (010)					8×12	40	8×12	40
1.5 (1R5)					8×12	40	10×12.5	70
2.2 (2R2)					10×12.5	70	10×16	110
					10×16	110		
2.7 (2R7)					10×16	95	10×16	95
3.3 (3R3)					10×16	110	10×16	110
					10×20	220		
4.7 (4R7)			10×16	169	10×20	220	10×20	220
6.8 (6R8)	10×16	230	10×16	169	10×20	220	13×20	310
10 (100)	10×16	230	10×20	250	13×20	310	13×20	310
	10×20	245						
15 (150)	10×16	230	13×20	480	13×25	310	13×25	310
	10×20	245						
22 (220)	10×20	350	13×20	480	16×20	380	16×25	420
33 (330)	13×20	505	13×25	640	16×31.5	635	16×31.5	635
			16×20	480	18×25	635		
47 (470)	13×20	505	16×25	600	16×31.5	750	16×35.5	780
	13×25	690	18×20	600				
68 (680)	13×25	710	16×25	600	18×31.5	900		
	16×20	750	18×20	600				
82 (820)	16×25	900	18×25	825				
	18×20	900						
100 (101)	16×31.5	1125	18×31.5	900				
	18×25	1100						
150 (151)	18×31.5	1350						
220 (221)	18×40	1470					Case Size	Ripple