

HTC 系列  
SERIES

螺栓端子型105℃ 3000小时品  
105℃ 3000 hours, Screw Terminal Type

◆特 长 / FEATURES

- 105℃、3000小时品。  
Load Life : 105℃ 3000 hours.

- RoHS指令对应品。  
RoHS compliance.



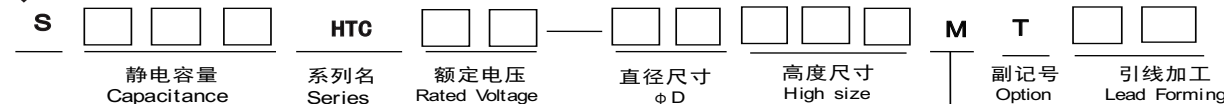
◆规格表 / SPECIFICATIONS

项 目 Items	特 性 Characteristics																																																																										
工作温度范围 Category Temperature Range	-40 ~ +105℃	-25 ~ +105℃																																																																									
额定电压范围 Rated Voltage Range	10 ~ 100V.DC	160 ~ 400V.DC																																																																									
静电容量允许差 Capacitance Tolerance	±20% (20℃, 120Hz)																																																																										
损失角正切值(tanδ) Dissipation Factor(MAX)	<table border="1"> <tr> <td>WV \ φ D</td> <td>36</td> <td>51</td> <td>64</td> <td>77</td> <td>90</td> <td>WV \ φ D</td> <td>36</td> <td>51</td> <td>64</td> <td>77</td> <td>90</td> <td rowspan="6">20℃, (120Hz)</td> </tr> <tr> <td>10</td> <td>0.75</td> <td>1.0</td> <td>1.3</td> <td>1.5</td> <td>1.5</td> <td>63</td> <td>0.2</td> <td>0.25</td> <td>0.3</td> <td>0.4</td> <td>0.4</td> </tr> <tr> <td>16</td> <td>0.6</td> <td>0.7</td> <td>0.8</td> <td>1.0</td> <td>1.0</td> <td>80</td> <td>0.2</td> <td>0.2</td> <td>0.25</td> <td>0.3</td> <td>0.3</td> </tr> <tr> <td>25</td> <td>0.4</td> <td>0.5</td> <td>0.7</td> <td>0.8</td> <td>0.8</td> <td>100</td> <td>0.15</td> <td>0.2</td> <td>0.25</td> <td>0.25</td> <td>0.25</td> </tr> <tr> <td>35</td> <td>0.3</td> <td>0.5</td> <td>0.6</td> <td>0.7</td> <td>0.7</td> <td>160~250</td> <td>0.15</td> <td>0.15</td> <td>0.2</td> <td>0.2</td> <td>0.2</td> </tr> <tr> <td>50</td> <td>0.25</td> <td>0.3</td> <td>0.5</td> <td>0.6</td> <td>0.6</td> <td>315~400</td> <td>0.2</td> <td>0.2</td> <td>0.25</td> <td>0.25</td> <td>0.25</td> </tr> </table>		WV \ φ D	36	51	64	77	90	WV \ φ D	36	51	64	77	90	20℃, (120Hz)	10	0.75	1.0	1.3	1.5	1.5	63	0.2	0.25	0.3	0.4	0.4	16	0.6	0.7	0.8	1.0	1.0	80	0.2	0.2	0.25	0.3	0.3	25	0.4	0.5	0.7	0.8	0.8	100	0.15	0.2	0.25	0.25	0.25	35	0.3	0.5	0.6	0.7	0.7	160~250	0.15	0.15	0.2	0.2	0.2	50	0.25	0.3	0.5	0.6	0.6	315~400	0.2	0.2	0.25	0.25	0.25
WV \ φ D	36	51	64	77	90	WV \ φ D	36	51	64	77	90	20℃, (120Hz)																																																															
10	0.75	1.0	1.3	1.5	1.5	63	0.2	0.25	0.3	0.4	0.4																																																																
16	0.6	0.7	0.8	1.0	1.0	80	0.2	0.2	0.25	0.3	0.3																																																																
25	0.4	0.5	0.7	0.8	0.8	100	0.15	0.2	0.25	0.25	0.25																																																																
35	0.3	0.5	0.6	0.7	0.7	160~250	0.15	0.15	0.2	0.2	0.2																																																																
50	0.25	0.3	0.5	0.6	0.6	315~400	0.2	0.2	0.25	0.25	0.25																																																																
漏 电 流 Leakage Current(MAX)	小于I=0.02CV和5mA中的较小值 (施加额定电压5分钟后) I=0.02CV or 5mA whichever is smaller. (After 5 minutes application of rated voltage) I=漏电流 (μ A)                      C=静电容量 (μ F)                      V=额定电压 (V) Leakage Current                                  Capacitance                                  Rated Voltage																																																																										
耐 久 性 Endurance	在105℃环境中, 不超过额定电压的范围内叠加额定纹波电流, 连续加载3000小时后, 满足以下各项要求。 After applying rated voltage with rated ripple current for 3000 hours at 105℃, the capacitors shall meet the following requirements. <table border="1"> <tr> <td>静电容量变化率 Capacitance Change</td> <td>初期值的±15%以内 Within ±15% of the initial value.</td> </tr> <tr> <td>损失角正切值 Dissipation Factor</td> <td>规格值的175%以下 Not more than 175% of the specified value</td> </tr> <tr> <td>漏 电 流 Leakage Current</td> <td>规格值以下 Not more than the specified value.</td> </tr> </table>		静电容量变化率 Capacitance Change	初期值的±15%以内 Within ±15% of the initial value.	损失角正切值 Dissipation Factor	规格值的175%以下 Not more than 175% of the specified value	漏 电 流 Leakage Current	规格值以下 Not more than the specified value.																																																																			
静电容量变化率 Capacitance Change	初期值的±15%以内 Within ±15% of the initial value.																																																																										
损失角正切值 Dissipation Factor	规格值的175%以下 Not more than 175% of the specified value																																																																										
漏 电 流 Leakage Current	规格值以下 Not more than the specified value.																																																																										
高温无负荷特性 Shelf Life	在105℃中无负荷放置500小时, 进行JIS C 5101-4 4.1项的电压处理后, 满足以下各项。 After storage for 500 hours with no voltage applied at 105℃, the capacitors shall be subjected to the voltage treatment in JIS C 5101-4 item 4.1 and shall be meet the following requirements. <table border="1"> <tr> <td>静电容量变化率 Capacitance Change</td> <td>初期值的±15%以内 Within ±15% of the initial value.</td> </tr> <tr> <td>损失角正切值 Dissipation Factor</td> <td>规格值的150%以下 Not more than 150% of the specified value</td> </tr> <tr> <td>漏 电 流 Leakage Current</td> <td>规格值以下 Not more than the specified value.</td> </tr> </table>		静电容量变化率 Capacitance Change	初期值的±15%以内 Within ±15% of the initial value.	损失角正切值 Dissipation Factor	规格值的150%以下 Not more than 150% of the specified value	漏 电 流 Leakage Current	规格值以下 Not more than the specified value.																																																																			
静电容量变化率 Capacitance Change	初期值的±15%以内 Within ±15% of the initial value.																																																																										
损失角正切值 Dissipation Factor	规格值的150%以下 Not more than 150% of the specified value																																																																										
漏 电 流 Leakage Current	规格值以下 Not more than the specified value.																																																																										

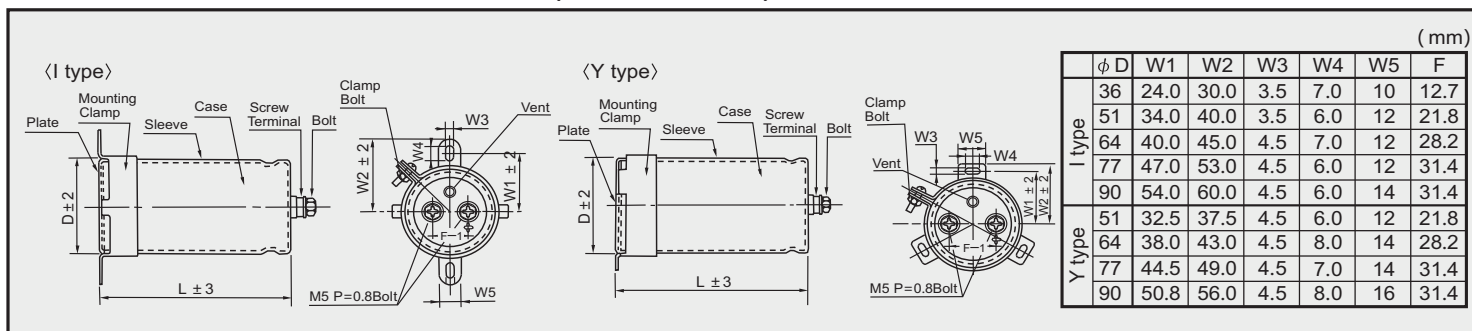
◆纹波电流修正系数 / MULTIPLIER FOR RIPPLE CURRENT

频率 (Hz) Frequency	60(50)	120	400	1k	10k≤
10~50WV	0.80	1.00	1.03	1.05	1.08
63~100WV	0.80	1.00	1.05	1.07	1.10
160~400WV	0.80	1.00	1.10	1.13	1.18

◆ 产品型号体系 / PARTNUMBER



◆电容器尺寸图 / Dimensions in mm (not to scale)



◆标准品一览表/STANDARD SIZE

V.DC Cap(μF)	10V		16V		25V		35V		50V		63V		80V		
3300														36×50	3.0
3900														36×63	3.3
4700												36×50	3.2	36×83	3.6
5600												36×63	3.5	36×83	3.9
6800							36×50	2.5	36×50	3.6	36×63	3.8	36×83	4.3	
8200							36×50	2.8	36×63	3.9	36×83	4.3	36×98	5.1	
10000							36×50	3.8	36×83	4.2	36×83	4.7	36×118	5.8	
12000							36×63	4.3	36×83	5.0	36×98	5.6	51×83	7.0	
15000					36×50	4.2	36×83	4.7	36×98	5.5	36×118	6.4	51×83	7.6	
18000					36×63	4.6	36×83	5.1	36×98	5.7	51×83	7.5	51×98	7.7	
22000			36×50	4.0	36×83	5.2	36×98	6.6	36×118	7.5	51×83	7.5	51×118	9.0	
27000	36×50	4.4	36×63	5.0	36×83	5.4	36×118	6.7	51×83	7.5	51×98	8.7	64×99	10.1	
33000	36×63	5.5	36×83	5.2	36×98	6.5	51×83	7.1	51×98	9.3	51×118	10.3	64×119	11.6	
39000	36×63	6.0	36×83	5.8	36×98	7.5	51×83	8.4	51×98	9.4	64×99	11.2	64×139	13.5	
47000	36×83	6.6	36×98	6.8	36×118	8.9	51×98	9.9	51×118	11.7	64×119	12.9	77×101	15.8	
56000	36×83	7.5	36×98	6.9	51×83	10.0	51×98	10.3	64×99	12.4	64×139	15.2	77×121	17.0	
68000	36×98	7.6	36×118	8.4	51×98	10.7	51×118	11.4	64×119	15.1	77×101	16.0	77×141	20.4	
82000	36×118	9.0	51×83	8.4	51×98	12.0	64×99	12.5	77×101	15.5	77×121	17.7	77×151	21.5	
100000	51×83	10.2	51×98	11.3	51×118	13.1	64×119	15.5	77×101	16.3	77×141	21.5	90×151	22.3	
120000	51×83	11.0	51×98	11.4	64×99	13.7	77×101	15.5	77×121	19.1	90×141	22.4			
150000	51×98	13.4	51×118	12.5	64×119	16.4	77×121	17.9	77×141	23.4					
180000	51×118	14.0	64×99	14.2	77×101	16.7	77×141	20.0	90×141	23.7					
220000	64×99	14.5	64×119	16.6	77×121	20.5	77×151	24.1							
270000	64×119	16.0	77×101	17.5	77×141	21.3	90×141	26.5							
330000	77×101	18.0	77×121	24.3	77×151	26.0									
390000	77×101	19.5	77×141	25.2	90×141	27.2									
470000	77×121	20.0	77×151	26.7											
560000	77×141	24.1	90×141	29.1											
680000	90×141	26.5													

V.DC Cap(μF)	100V		160V		200V		250V		315V		350V		400V		
220											36×50	0.9	36×50	1.0	
270										36×50	1.0	36×50	1.0	36×63	1.0
330										36×50	1.2	36×63	1.2	36×63	1.2
390										36×63	1.3	36×83	1.3	36×83	1.4
470							36×50	1.3	36×83	1.5	36×83	1.5	36×98	1.5	
560					36×50	1.4	36×63	1.6	36×83	1.6	36×98	1.7	36×98	1.7	
680					36×50	1.5	36×83	1.7	36×98	1.9	36×98	1.9	51×83	2.3	
820			36×50	1.4	36×83	1.9	36×83	1.9	36×118	2.2	36×118	2.1	51×98	2.4	
1000			36×63	1.9	36×83	2.2	36×98	2.3	51×83	2.3	51×98	2.5	51×118	2.7	
1200			36×83	2.3	36×83	2.3	36×98	2.4	51×98	2.7	51×98	2.7	51×118	3.0	
1500			36×83	2.6	36×98	2.9	36×118	2.9	51×98	3.1	51×118	3.3	64×99	3.5	
1800			36×83	2.6	36×98	2.9	36×118	3.0	51×118	3.6	64×99	3.8	64×119	3.6	
2200	36×50	2.9	36×98	3.2	36×118	3.3	51×98	3.8	64×99	4.2	64×119	4.6	77×101	4.1	
2700	36×63	3.4	36×118	3.2	51×83	3.8	51×118	4.5	64×119	4.3	77×101	4.6	77×121	4.8	
3300	36×83	3.9	36×118	3.7	51×98	4.7	64×99	5.2	77×101	4.9	77×121	5.3	77×141	5.7	
3900	36×83	4.2	51×98	4.3	51×118	5.4	64×119	5.2	77×121	5.8	77×141	6.2	90×141	6.7	
4700	36×83	4.6	51×98	4.8	64×99	6.2	64×119	5.7	77×121	6.3	90×141	7.4	90×141	7.4	
5600	36×98	4.9	51×118	5.5	64×99	6.3	77×101	6.4	77×141	7.3	90×141	8.1			
6800	36×118	5.5	64×99	6.3	64×119	7.3	77×121	7.6	90×141	8.9					
8200	51×83	6.2	64×119	7.1	77×101	8.5	77×141	8.3							
10000	51×98	6.7	77×101	7.9	77×121	9.5	90×141	9.9							
12000	51×98	7.3	77×121	9.0	77×141	10.5	90×141	10.8							
15000	51×118	8.6	77×141	11.3	90×141	12.5									
18000	64×99	8.9	90×141	13.0	90×141	13.3									
22000	64×119	10.3	90×141	14.3											
27000	64×139	12.1													
33000	77×121	14.1													
39000	77×141	16.5													
47000	77×141	18.3													
56000	90×141	19.2													
68000	90×151	20.1													

↑ 纹波电流 Ripple Current (A r.m.s./120Hz,105°C)  
↑ 铝壳尺寸 Case Size φD×L(mm)